

Pompe con variatore o inverter

Pumps with mechanical speed variator or frequency converter



Pompe con variatore (VA)
Pumps with m. speed variator (VA)



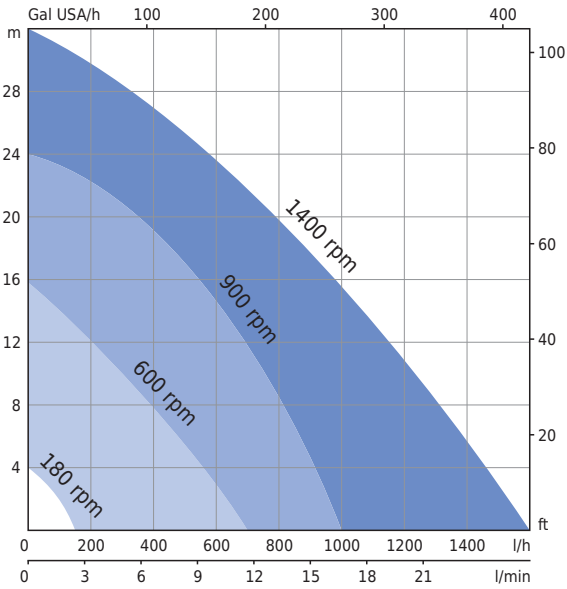
Pompe con inverter (INV)
Pumps with frequency converter (INV)

| Tipo Type | Alimentazione * Feeding * | | HP | kW | Giri/min Rpm | H (m) = Prevalenza / Head | | | | | | | | | | | |
|-------------------------------|------------------------------|--------------------|-------|-------|-----------------|---------------------------|-------|-------|-------|-------|-------|-------|-------|-------|------|----|--|
| | | | | | | 0 | 4 | 8 | 12 | 16 | 18 | 20 | 24 | 27 | 32 | 40 | |
| VA MINOR 40 | TF | 230-400 V 50 Hz | 2 | 1.5 | min 175 | 1320 | 800 | 0 | | | | | | | | | |
| | | | | | 350 | 2750 | 2500 | 2100 | 1600 | 800 | 0 | | | | | | |
| | | | | | 700 | 5000 | 4700 | 4300 | 3700 | 3000 | 2520 | 1800 | 0 | | | | |
| | | | | | max 900 | 6900 | 6200 | 5760 | 5040 | 4200 | 3660 | 3200 | 1800 | 0 | | | |
| VA MAJOR 60 | TF | 230-400 V 50 Hz | 2.5 | 1.87 | min 175 | 4320 | 3840 | 3000 | 0 | | | | | | | | |
| | | | | | 350 | 9000 | 7800 | 6000 | 3700 | 0 | | | | | | | |
| | | | | | 700 | 18000 | 15000 | 12000 | 8400 | 2500 | 0 | | | | | | |
| | | | | | max 900 | 22500 | 19560 | 15000 | 11220 | 3000 | 0 | | | | | | |
| VA MAXI 80 | TF | 230-400 V 50 Hz | 5.5 | 4 | min 150 | 12000 | 10000 | 7500 | 0 | | | | | | | | |
| | | | | | 300 | 24600 | 22200 | 18900 | 12000 | 0 | | | | | | | |
| | | | | | 470 | 36000 | 34200 | 30000 | 24000 | 12000 | 0 | | | | | | |
| | | | | | max 600 | 43800 | 41400 | 36000 | 30000 | 16000 | 0 | | | | | | |
| INV MINI 3/4" | MF | 230 V 50 Hz | 0.75 | 0.56 | min 180 | 150 | 0 | | | | | | | | | | |
| | | | | | 600 | 700 | 560 | 390 | 150 | 0 | | | | | | | |
| | TF | 400 V 50 Hz | 0.75 | 0.56 | 900 | 1000 | 900 | 840 | 720 | 540 | 450 | 350 | 0 | | | | |
| | | | | | max 1400 | 1620 | 1440 | 1320 | 1140 | 1020 | 900 | 800 | 600 | 400 | 0 | | |
| INV MIDEX 1 1/4 | MF | 230 V 50 Hz | 1 | 0.75 | min 180 | 600 | 480 | 0 | | | | | | | | | |
| | | | | | 600 | 2600 | 2300 | 2000 | 1400 | 800 | 400 | 0 | | | | | |
| | TF | 400 V 50 Hz | 1 | 0.75 | 900 | 3840 | 3480 | 3180 | 2760 | 2160 | 1800 | 1600 | 720 | 0 | | | |
| | | | | | max 1400 | 5760 | 5160 | 4800 | 4320 | 3600 | 3180 | 2800 | 1920 | 1200 | 0 | | |
| INV MINOR 40 | MF | 230 V 50 Hz | 2.5 | 1.87 | min 50 | 380 | 0 | | | | | | | | | | |
| | | | | | 175 | 1320 | 800 | 0 | | | | | | | | | |
| | TF | 400 V 50 Hz | 2.5 | 1.87 | 350 | 2750 | 2500 | 2100 | 1600 | 800 | 0 | | | | | | |
| | | | | | 700 | 5000 | 4700 | 4300 | 3700 | 3000 | 2520 | 1800 | 0 | | | | |
| max 900 | 6900 | 6200 | 5760 | 5040 | 4200 | 3660 | 3200 | 1800 | 0 | | | | | | | | |
| INV MAJOR 60 | MF | 230 V 50 Hz | 3 | 2.2 | min 50 | 1230 | 0 | | | | | | | | | | |
| | | | | | 175 | 4320 | 3840 | 3000 | 0 | | | | | | | | |
| | TF | 400 V 50 Hz | 3 | 2.2 | 350 | 9000 | 7800 | 6000 | 3700 | 0 | | | | | | | |
| | | | | | 700 | 18000 | 15000 | 12000 | 8400 | 2500 | 0 | | | | | | |
| max 900 | 22500 | 19560 | 15000 | 11220 | 3000 | 0 | | | | | | | | | | | |
| INV MAXI 80 | TF | 230 V 50 Hz | 5.5 | 4 | min 50 | 3800 | 0 | | | | | | | | | | |
| | | | | | 150 | 12000 | 10000 | 7500 | 0 | | | | | | | | |
| | TF | 400 V 50 Hz | 5.5 | 4 | 300 | 24600 | 22200 | 18900 | 12000 | 0 | | | | | | | |
| | | | | | 470 | 36000 | 34200 | 30000 | 24000 | 12000 | 0 | | | | | | |
| max 600 | 43800 | 41400 | 36000 | 30000 | 16000 | 0 | | | | | | | | | | | |
| INV MAXI Double 2Q | TF | 230 V 50 Hz | 7.5 | 5.5 | min 50 | 7600 | 0 | | | | | | | | | | |
| | | | | | 175 | 27000 | 24000 | 20000 | 13000 | 0 | | | | | | | |
| | TF | 400 V 50 Hz | 7.5 | 5.5 | 235 | 36000 | 33000 | 27500 | 20500 | 10000 | 0 | | | | | | |
| | | | | | 350 | 54000 | 48500 | 41500 | 33000 | 22000 | 14000 | 0 | | | | | |
| max 470 | 72000 | 65000 | 56000 | 45000 | 30000 | 20000 | 0 | | | | | | | | | | |
| INV MAXI Double 2H | TF | 230 V 50 Hz | 7.5 | 5.5 | min 50 | 3800 | 2000 | 0 | | | | | | | | | |
| | | | | | 175 | 14100 | 13500 | 12600 | 11400 | 9700 | 8600 | 7400 | 4500 | 0 | | | |
| | TF | 400 V 50 Hz | 7.5 | 5.5 | 235 | 19200 | 18500 | 17500 | 16200 | 14300 | 13200 | 12000 | 9000 | 5900 | 0 | | |
| | | | | | 350 | 27600 | 26700 | 25500 | 24000 | 22200 | 21000 | 20000 | 17200 | 14800 | 9700 | 0 | |
| max 470 | 36000 | 35000 | 33600 | 32000 | 29700 | 28400 | 27000 | 23600 | 20600 | 14300 | 0 | | | | | | |

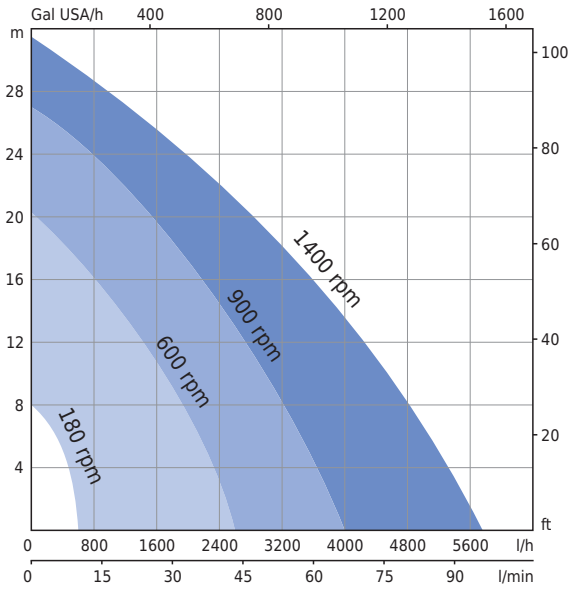
Q (l/h) = Portata / Capacity

* MF = monofase / single-phase - TF = trifase / three-phase

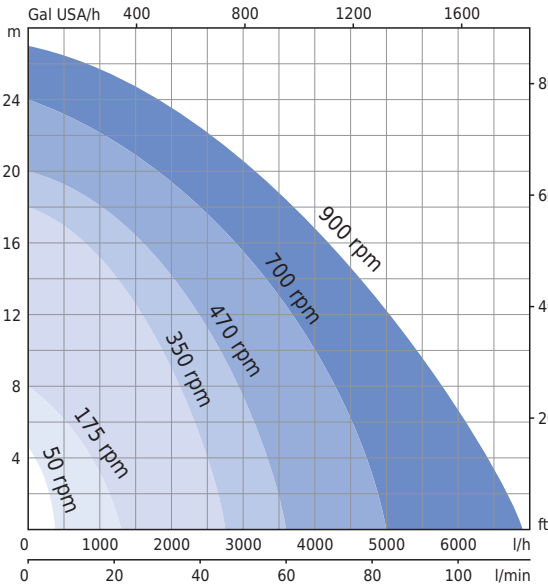
INV MINI 3/4"



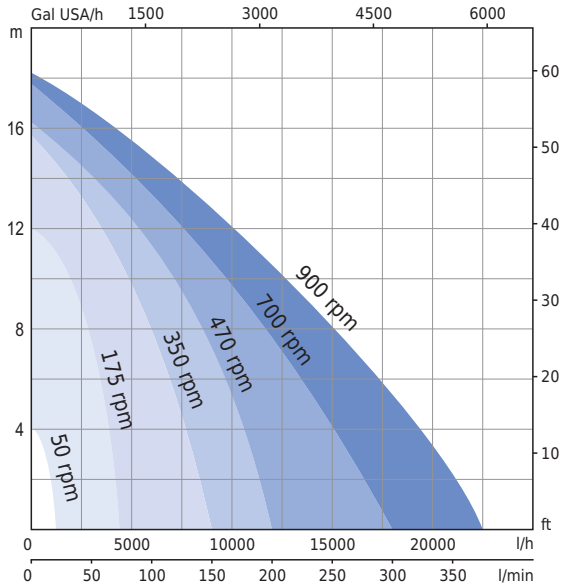
INV MIDEX 1" 1/4



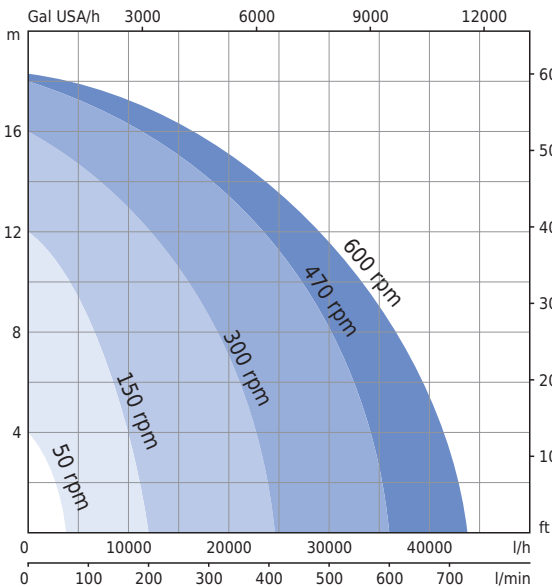
**VA MINOR 40
INV MINOR 40**



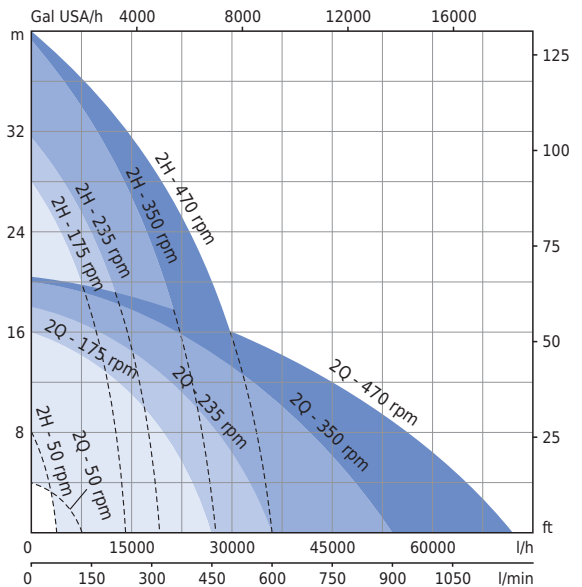
**VA MAJOR 60
INV MAJOR 60**



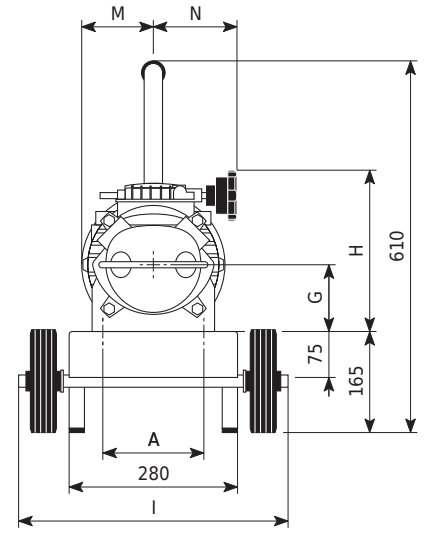
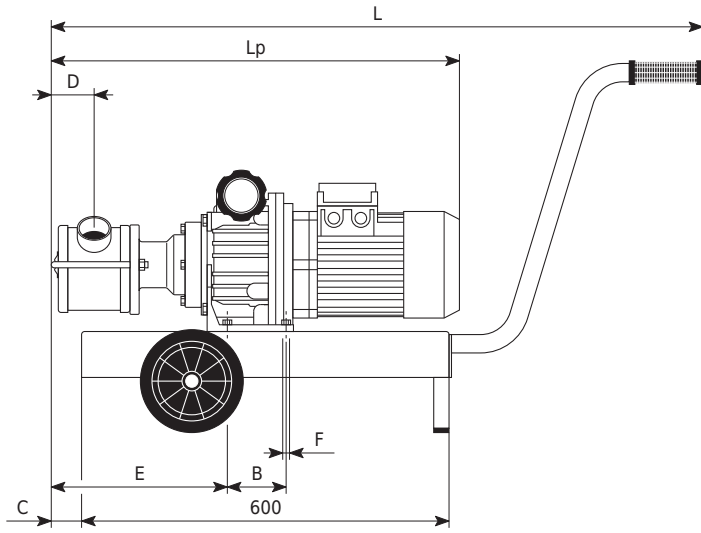
**VA MAXI 80
INV MAXI 80**



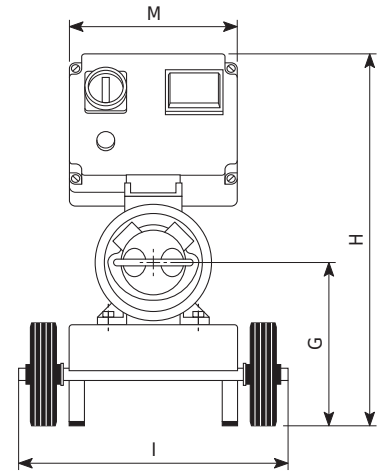
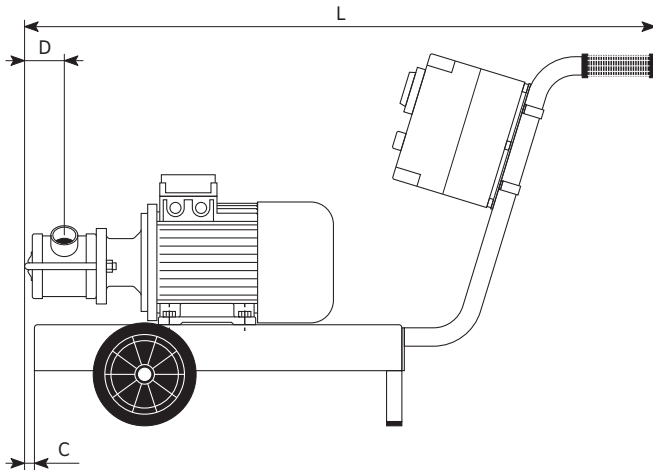
**INV MAXI Double 2Q
INV MAXI Double 2H**



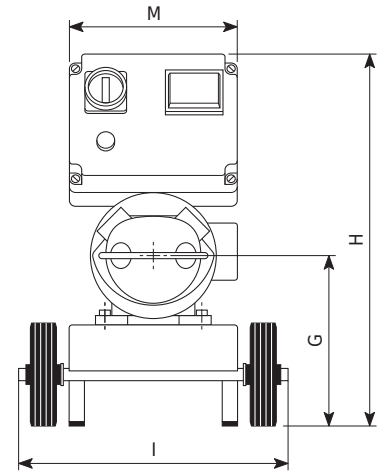
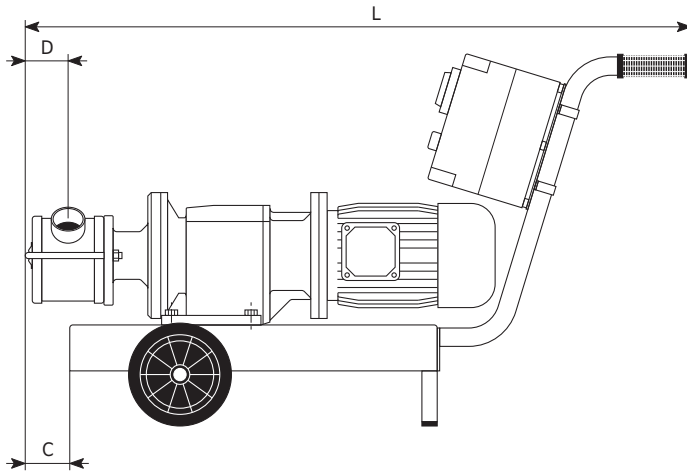
**VA
MINOR 40
MAJOR 60
MAXI 80**



**INV
MINI 3/4"
MIDEX 1"1/4**



**INV
MINOR 40
MAJOR 60
MAXI 80**



| Tipo / Type | Peso / Weight | A | B | C | D | E | F | G | H | I | L | Lp | M | N |
|------------------------|---------------|---------------------------------|-----|-----|----|-----|-----|-----|-----|-----|------|-----|-----|-------|
| VA MINOR 40 | 63 kg | 164 | 96 | 20 | 60 | 260 | Ø11 | 109 | 264 | 440 | 1030 | 640 | 117 | 137 |
| VA MAJOR 60 | 67 kg | 164 | 96 | 55 | 70 | 295 | Ø11 | 109 | 264 | 440 | 1065 | 675 | 117 | 137 |
| VA MAXI 80 | 109 kg | 200 | 120 | 115 | 90 | 305 | M12 | 132 | 337 | 440 | 1125 | 770 | 136 | 172.5 |
| INV MINI 3/4" | 17 kg | - | - | - | 26 | - | - | 175 | 550 | 340 | 790 | - | 285 | - |
| INV MIDEX 1"1/4 | 23 kg | - | - | 15 | 38 | - | - | 175 | 550 | 340 | 805 | - | 285 | - |
| INV MINOR 40 | 45 kg | - | - | 70 | 60 | - | - | 268 | 610 | 440 | 1050 | - | 285 | - |
| INV MAJOR 60 | 55 kg | - | - | 135 | 70 | - | - | 275 | 610 | 440 | 1145 | - | 285 | - |
| INV MAXI 80 | 95 kg | - | - | 160 | 90 | - | - | 295 | 610 | 440 | 1200 | - | 285 | - |
| INV MAXI Double | 185/200 kg | Dimensioni p.9 / Dimensions p.9 | | | | | | | | | | | | |